

PRODUCT



Art no: SHP1.01002

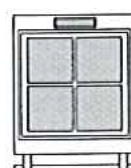
Marine Range Top RIQ 43-20 4pl. 9,6kw

IP 44

- Exclusively design for Marine use
- Protection Degre IP44
- Extremley strong construction
- Qick and easy maintance
- Easy to clean
- Demontable for installation on board
- AISI304 S.S Top, External covering feet
- Underneath heavy duty stand with welded shelf and tubular antirolling bar
- High temperature cable
- AISI 304 stainless steel 2mm thikness top entirely welded
- Adjustable and removable stainless steel antirolling-bars
- Plate heating element removable, with 40mm insulation
- Rated voltage 115/3/60—208/3/50-60—230/3/50-60
400/3/50—415/3/50-60 440/3/60—460/3/50-60—
480/3/60 (*Please specify when ordering)



DATA	◆	◆	◆
DIM (H*W*D)	900mm	800mm	900mm
SHIPPING DIM (H*W*D)			
WEIGHT Gross/Nett Kg			
HS Code			
EORI			
OTHER			



RIQ43-20
4 PIASTRE – HOT PLATES 300x300 mm
POTENZA TOTALE – TOTAL POWER Kw 9,6

Reference Photo



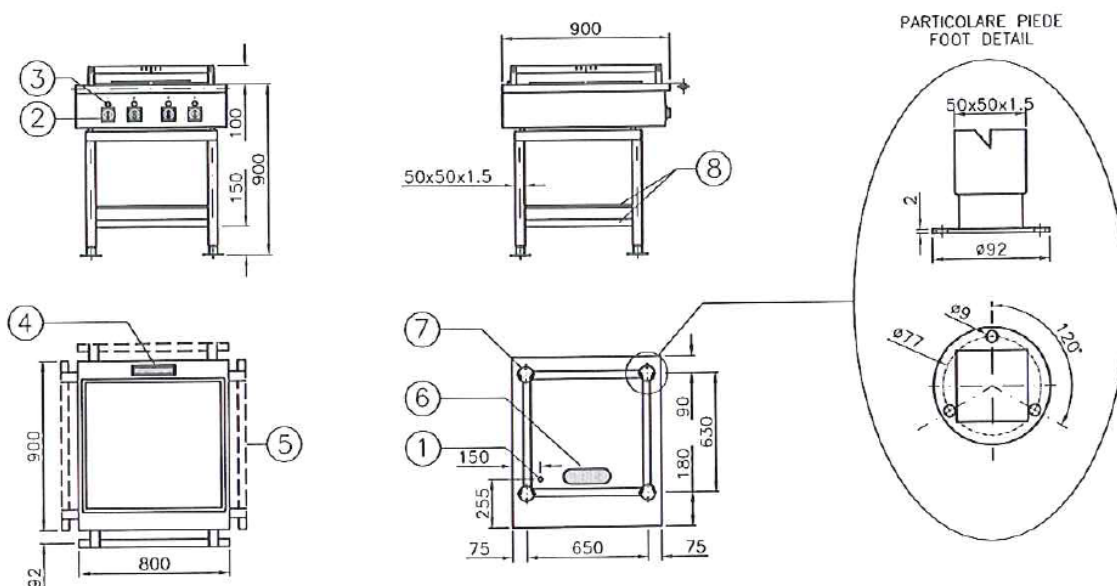
SHOK Partner AS, Reserve the right for model changes without notice!



Technical Details:

Description:	Voltage:	Kw	Water/Drain
Marine Top RIQ43-20	230v 3ph 50-60Hz	9,6	N/A
Marine Top RIQ43-20	440v 3ph 60Hz	9,6	N/A
Marine Top RIQ43-20	400v 3ph 50Hz	9,6	N/A

Drawing Sheet:



1 PASSAGGI STAGNI PER CAVI ELETTRICI
CORD CONNECTORS

2 COMMUTATORI PIASTRE*
PLATES DELTA-STAR SWITCHES*

3 LAMPADA SPIA
PILOT LAMP

4 GRIGLIA DI AEREAZIONE TOP
TOP VENTILATION GRID

5 CORRIMANO LATERALE E POST. (A RICHIESTA CON EXTRA COSTO)
REAR AND SIDE HAND RAIL (ON REQUEST WITH EXTRA COST)

6 GRIGLIA DI AEREAZIONE FONDO
BOTTOM VENTILATION GRID

7 POSIZIONE PER FISSAGGIO PIEDI
FEET FIXING POSITION

8 PIANO SOTTOSTANTE CON ANTIROLLIO TUBOLARE
UNDERNEATH SHELF WITH TUBULAR ANTIROLLING BAR
- GRADO DI PROTEZIONE IP44
PROTECTION DEGREE IP44

* LA QUANTITA' DEI COMMUTATORI VARIA SECONDO I MODELLI
* QUANTITY OF DELTA STAR WILL BE ACCORDING TO THE MODEL

- ALTRE COMBINAZIONI TOP A RICHIESTA
OTHER TOP COMBINATIONS ON REQUEST

PIASTRE DISPONIBILI PER TOP – AVAILABLE PLATES FOR RANGE TOP

PIASTRA – HOT PLATE
mm 300X300 kW 2,4

BISTECCHIERA LISCIA – SMOOTH GRIDDLE
mm 300X610 kW 4,8

PIASTRA – HOT PLATE
mm 600X610 kW 4,8x2

PIASTRA – HOT PLATE
mm 300X610 kW 4,8

BISTECCHIERA RIGATA – GROOVED GRIDDLE
mm 300X610 kW 4,8